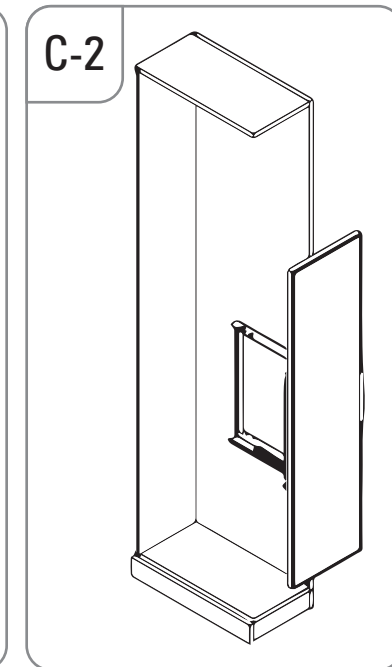
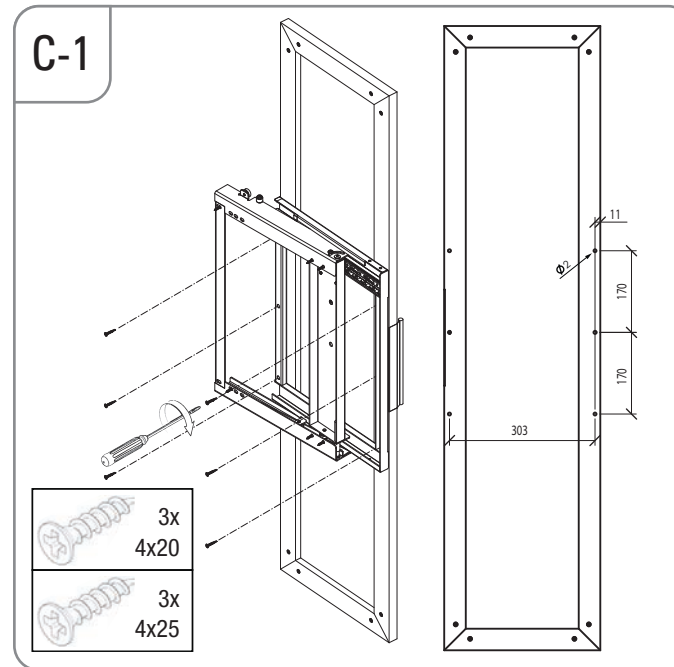
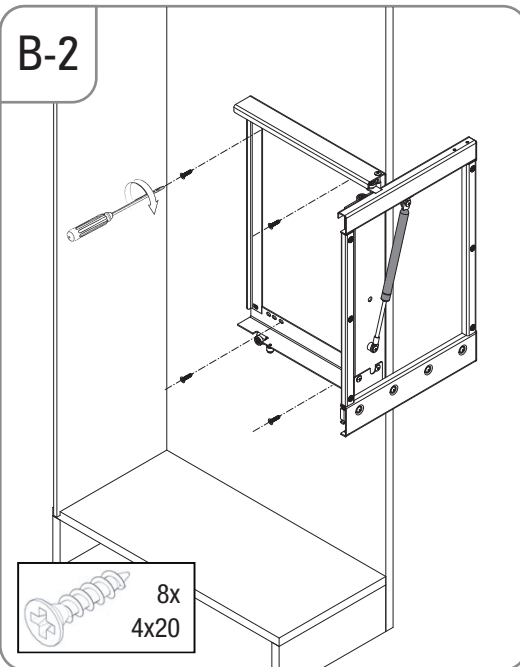
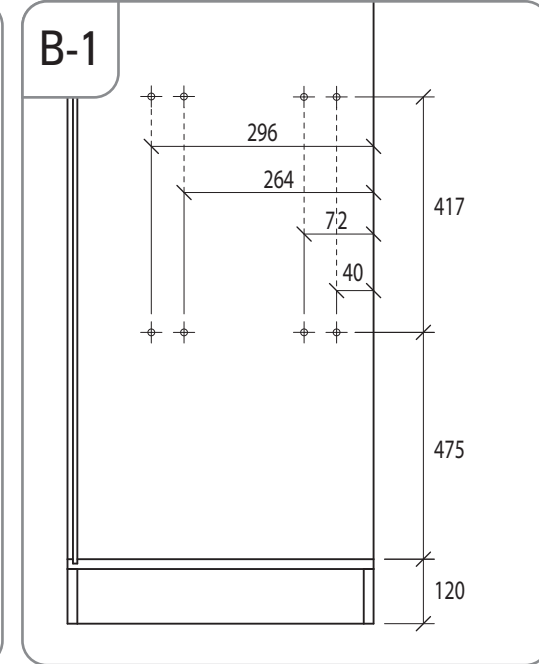
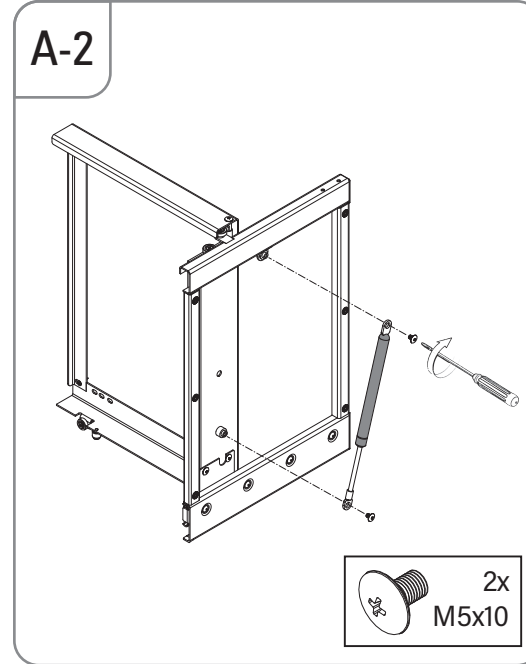
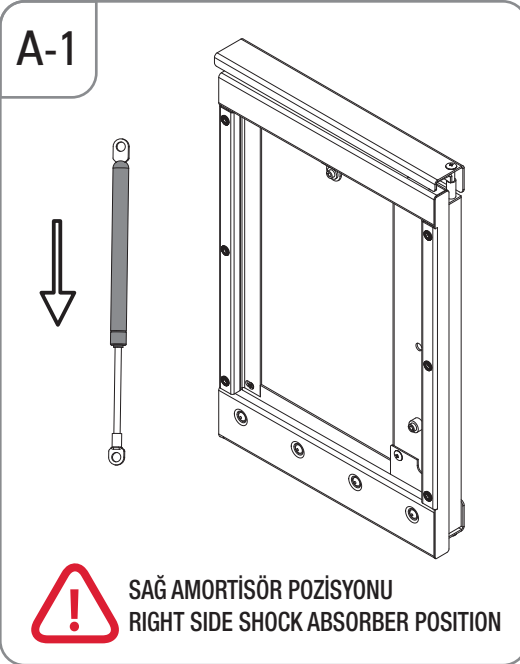

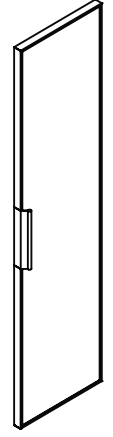
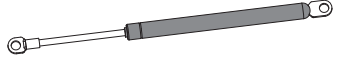





- DÖNER AYNA MEKANİZMASI MONTAJ ŞEMASI (SAĞ)
- TURNING MIRROR MECHANISM MOUNTING INSTRUCTIONS (RIGHT)

KULLANILAN PARÇALAR ITEMS PART			
NO	PARÇA RESİM / PART DRAWING	ADET PCS.	
1		1	
2		1	
3		1	
4		4x20	11
5		4x25	3
6		M5x10	2



KULLANILAN PARÇALAR ITEMS PART			
NO	PARÇA RESİM / PART DRAWING	ADET PCS.	
1		1	
2		1	
3		1	
4	 4x20	11	
5	 4x25	3	
6	 M5x10	2	

