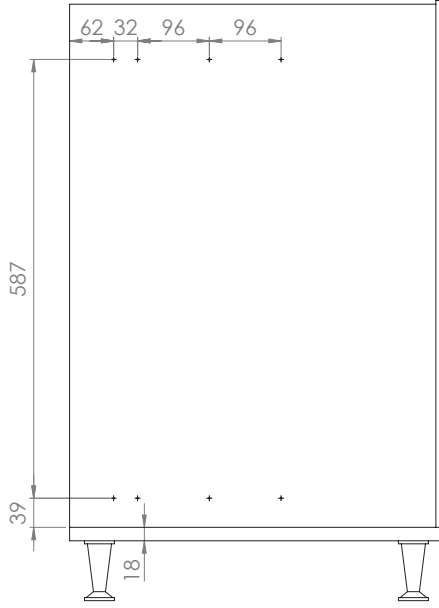
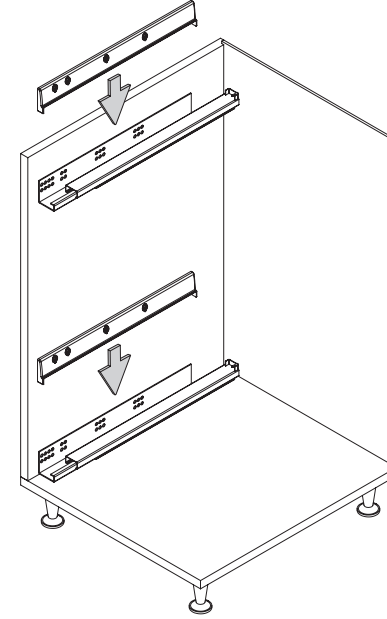


- YANDAN GİZLİ RAYLI ŞİŞE ÜNİTESİ MONTAJ ŞEMASI (SAĞ)
- BOTTLE UNIT WITH SIDE UNDERMOUNT RAIL MOUNTING INSTRUCTIONS (RIGHT)

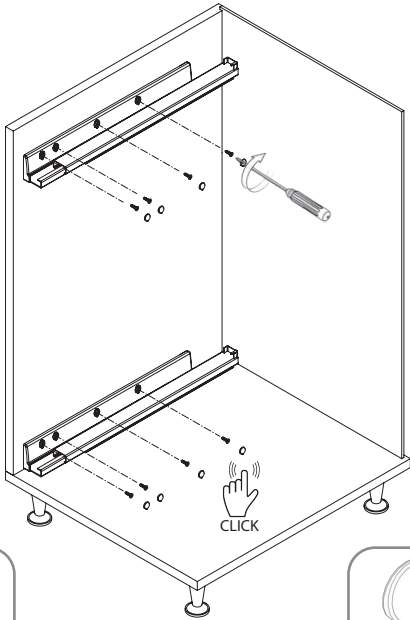
A-1



B-1



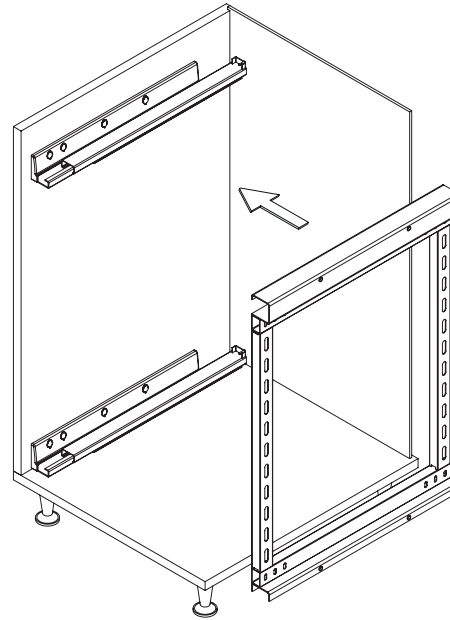
C-1



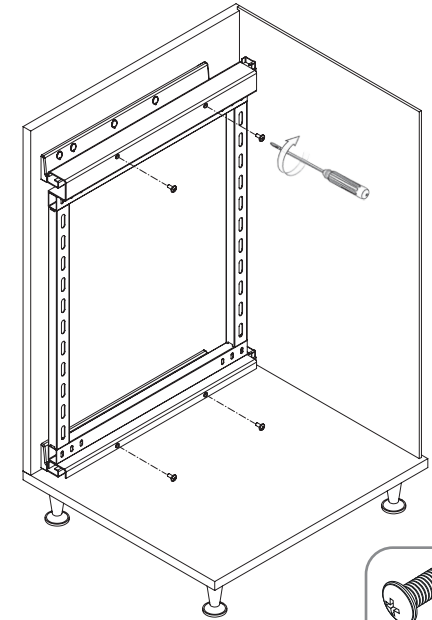
8x  
3.5x16

4x  
Cover

D-1



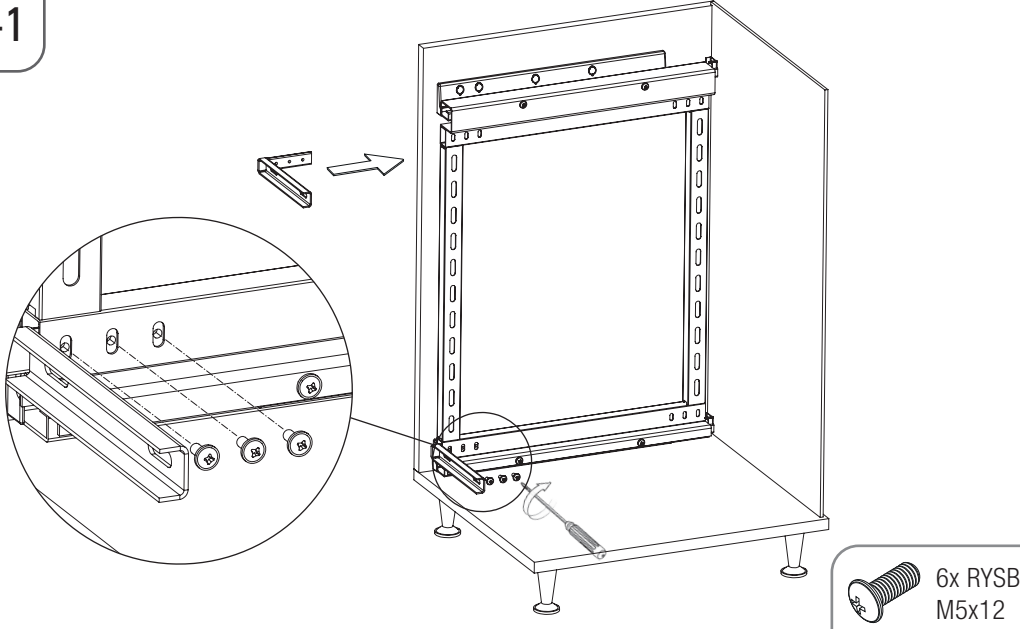
D-2



4x RYSB  
M5x12

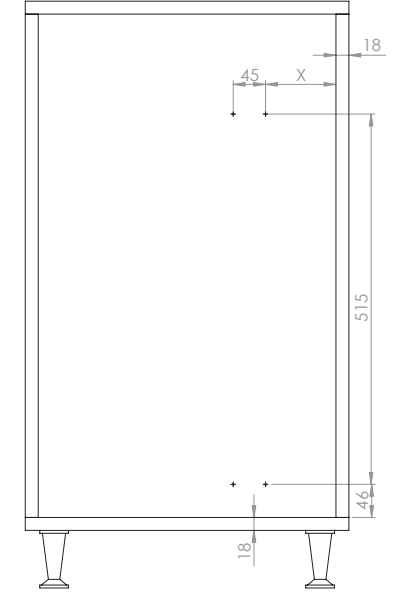
- YANDAN GİZLİ RAYLI ŞİŞE ÜNİTESİ MONTAJ ŞEMASI (SAĞ)
- BOTTLE UNIT WITH SIDE UNDERMOUNT RAIL MOUNTING INSTRUCTIONS (RIGHT)

E-1

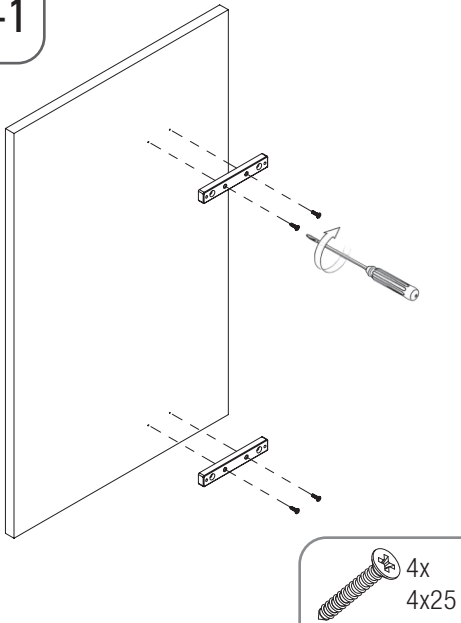


F-1

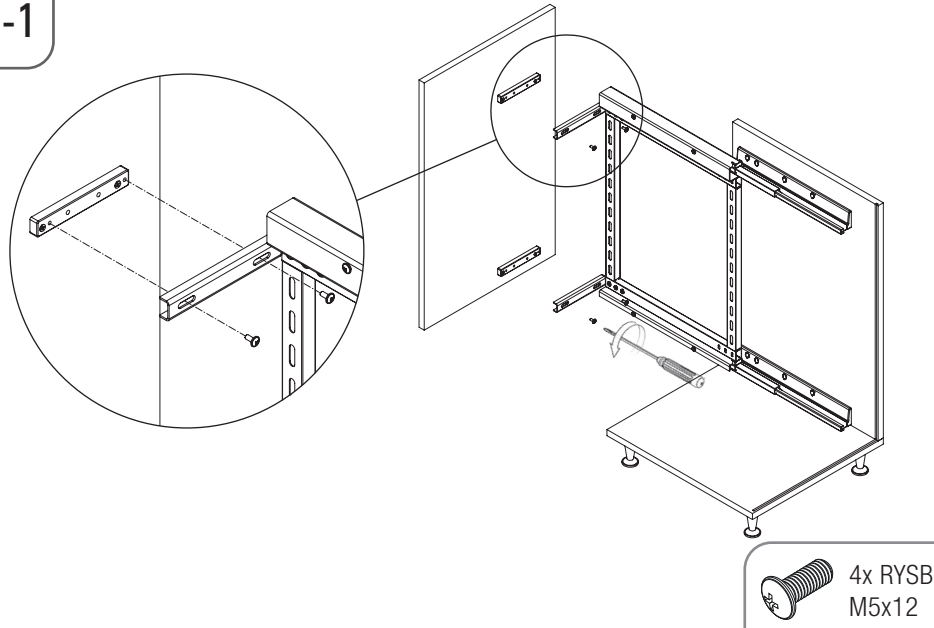
C	X
250	98
300	98
350	138
400	138
450	138



G-1



H-1



J-1

